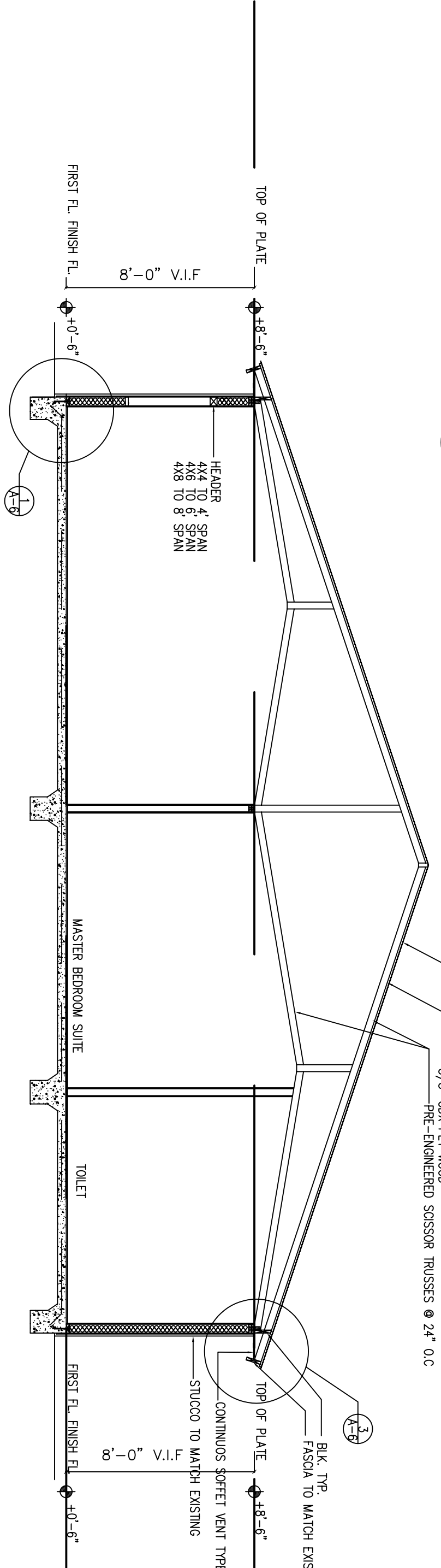
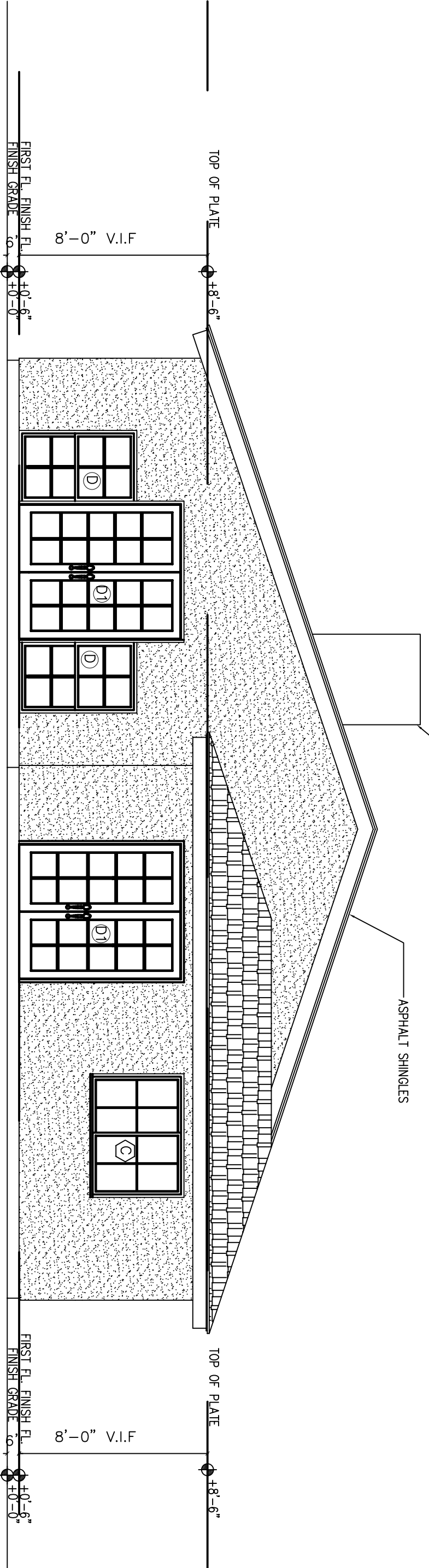


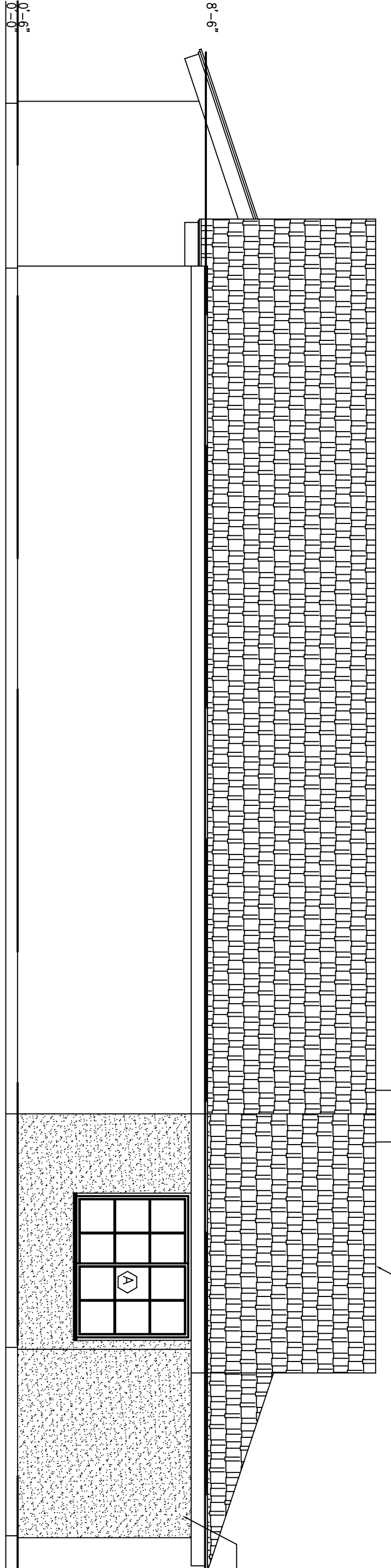
B
SECTION
SCALE 1/4" = 1'-0"



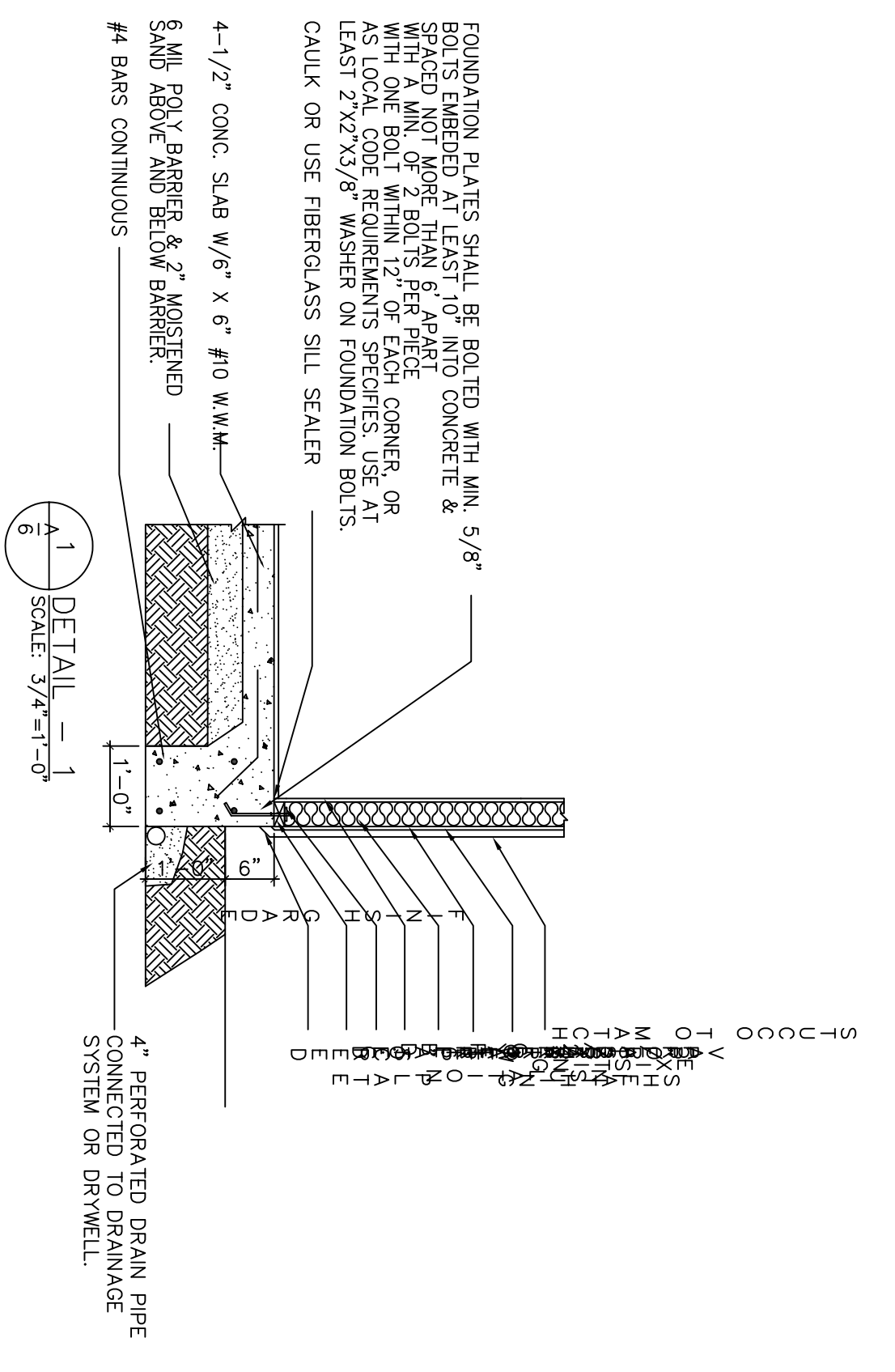
A
SECTION
SCALE 1/4" = 1'-0"



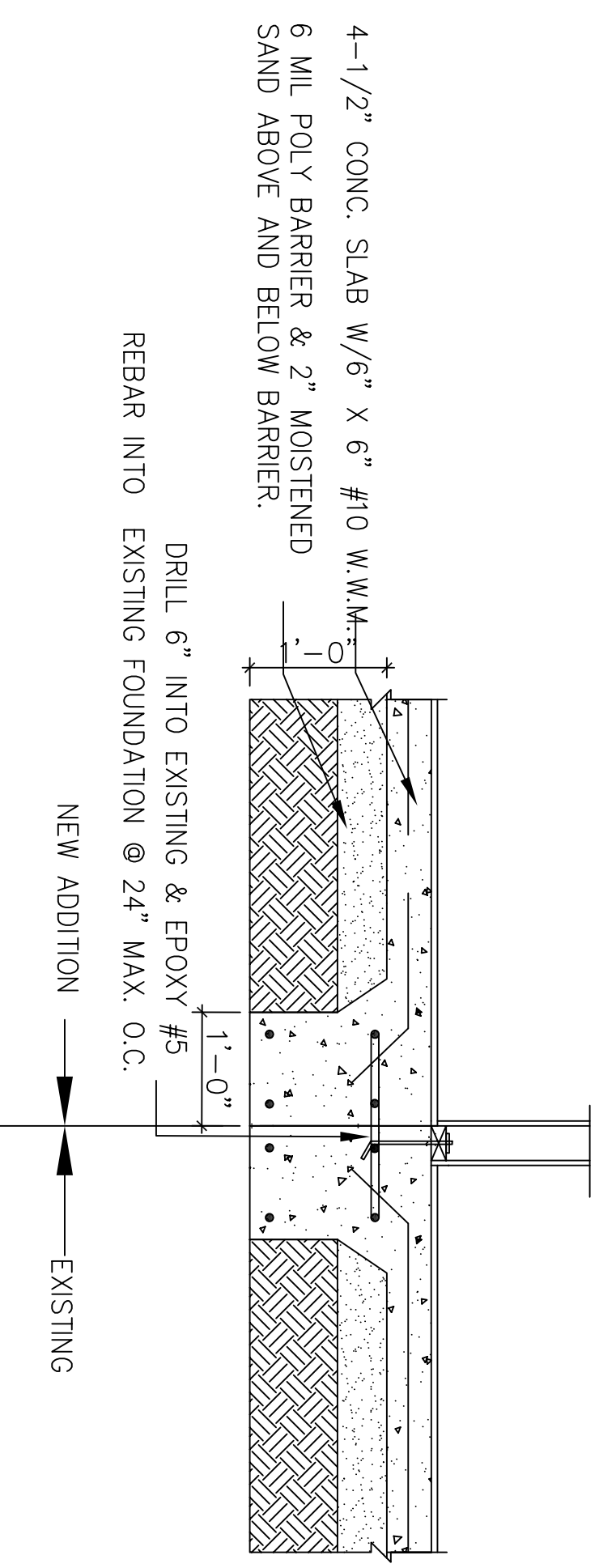
REAR ELEVATION
SCALE 1/4" = 1'-0"



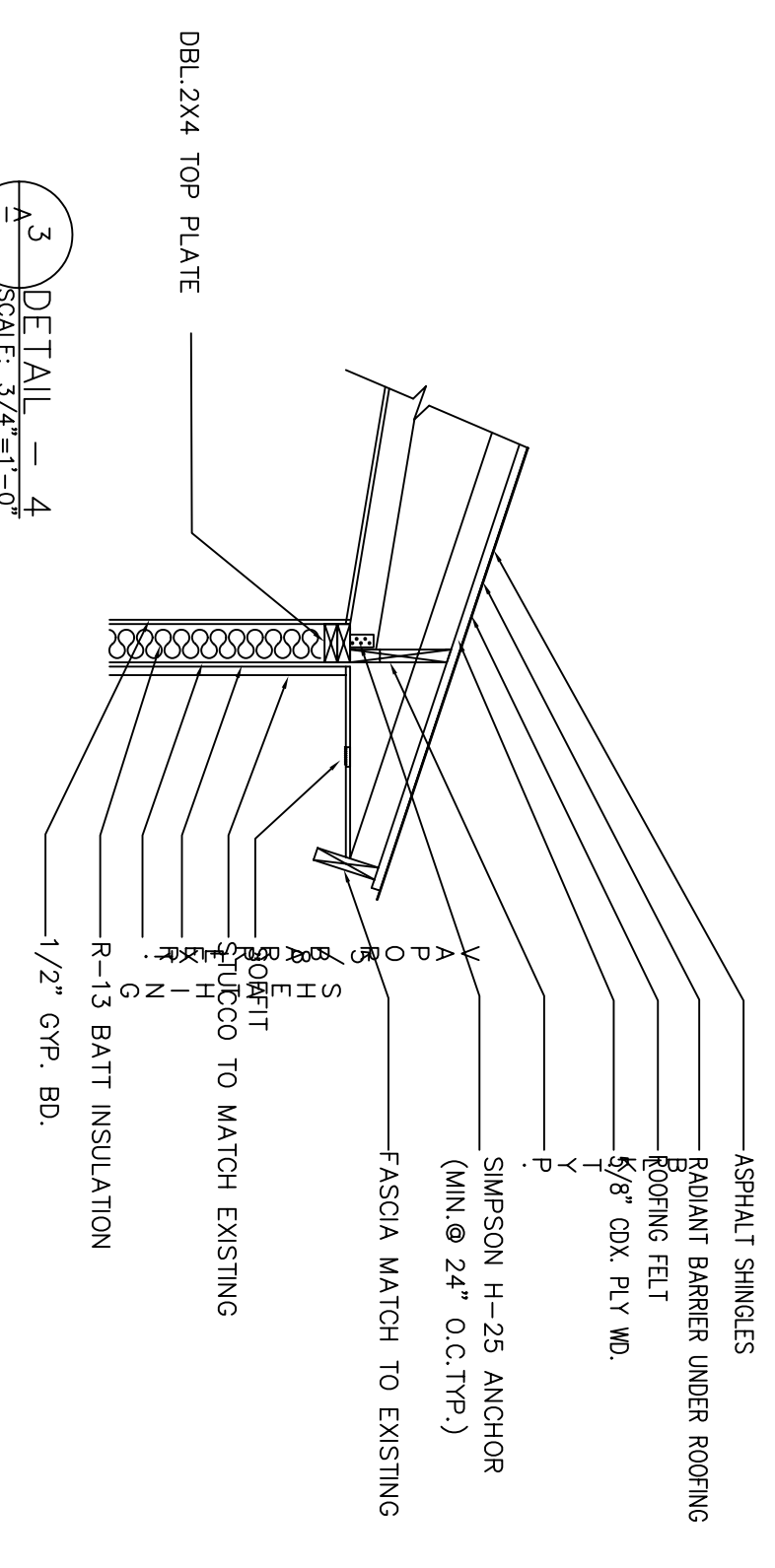
RIGHT SIDE ELEVATION
SCALE 1/4" = 1'-0"



1
DETAIL - 1
SCALE: 3/4" = 1'-0"



2
DETAIL - 2
SCALE: 3/4" = 1'-0"



3
DETAIL - 3
SCALE: 3/4" = 1'-0"